

All-glass revolving doors Besam RD3-300, RD4-300

ASSA ABLOY

ASSA ABLOY Entrance Systems

The global leader in
door opening solutions



ASSA ABLOY Entrance Systems beautiful, all-glass 3- or 4-wing revolving doors with their unique LED-glass ceiling, are the crown jewels within our energy-saving entrance portfolio and a high-tech masterpiece for any building

The beauty of a green entrance

With the Besam RD3-300 and Besam RD4-300 revolving door your indoor climate will be safeguarded against unwanted air infiltration, enabling you to take control of your energy consumption without compromising with a welcoming, luxurious entrance.

Since revolving doors are always open, yet always closed – no wonder they are referred to as “The Green Machines”. What you spend on a new impressive entrance, you will gain in energy-savings due to optimal separation of climate zones.

Beautiful on the inside and out

The optional, integrated LED-lights in the ceiling are just as good as they look. From design to installation and operation – our all-glass revolving doors incorporate beauty inside out.

Technical specifications

Power supply	230 V, 50 Hz, mains fuse max 10 AT, 100-120 V, 50/60 Hz, mains fuse max 16 AT
Power consumption	
Standard drive unit	200W / resting 30W
Max. support	400W / resting 30W
LED lighting	max. 60 W

State-of-the-art convenience

The all-glass revolvers are available in a variety of diameters, ensuring optimal convenience for staff, customers and guests accompanied by goods or luggage. And staying true to our reputation – market leading in safety, naturally.



Serviceability

This unique and state-of-the-art control system was developed with no compromise in design or function. The system ensures lowest operating and maintenance cost, while ensuring the highest safety and best performance.

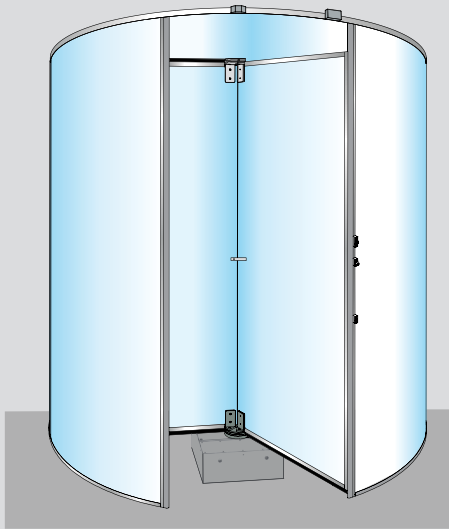
Optimizing installation time and maintenance:

- The Besam RD3-300 and Besam RD4-300 are equipped with a program selector with access codes to operate the door
- Automatic system check-up upon installation
- Fast and safe adjustments and initial set up of all safety zones and speed settings
- Self-checking of safety systems
- Automatic indication of service intervals
- Automatic event log
- Automatic diagnostics

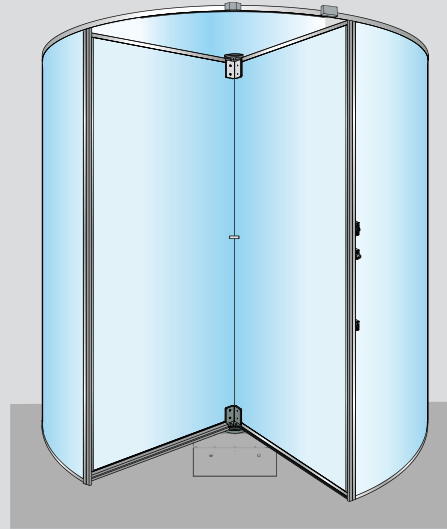
Safety

The all-glass door range has user safety as its number one priority.

- To prevent injury, the drum edges are equipped with soft safety edges
- If an obstacle prohibits the rotation of the door (the resistance is higher than the pre-set value) the rotation will cease
- Horizontal safety switches on the rotating doors
- Speed control
- State-of-the-art sensors for safety, activation and comfort



Besam RD3-300



Besam RD4-300

Design

Design is more than what meets the eye. Design can also equal convenience and comfort, for example when it comes to flexibility in configurations and aesthetics to match your needs and building design. It can also support serviceability by keeping it simple.

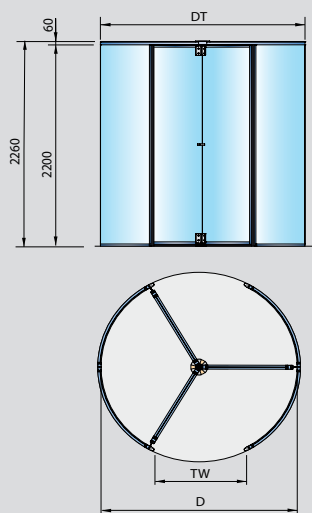
- Besam RD3-300 and Besam RD4-300 are available in various sizes with flexible internal height
- In-ground drive mechanism for optimal aesthetics and minimal noise
- Designed for minimal floor preparation and ease of maintenance
- Suspended night closing doors for optimal aesthetics
- Optional LED-glass ceiling in the pattern of your choice

Security

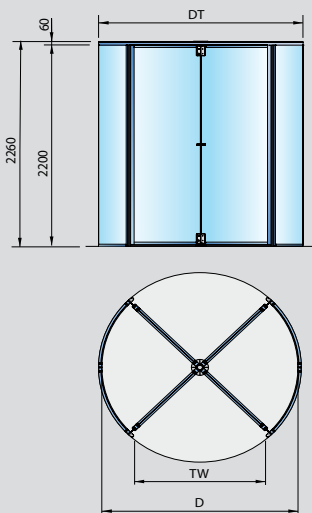
Don't let the luxurious look and feel fool you – the Besam RD3-300 and Besam RD4-300 have building security incorporated into their design.

- Reinforced and glass through-out the revolving door
- Access levels and password protected user interface on program control device
- Optional manual night closing doors

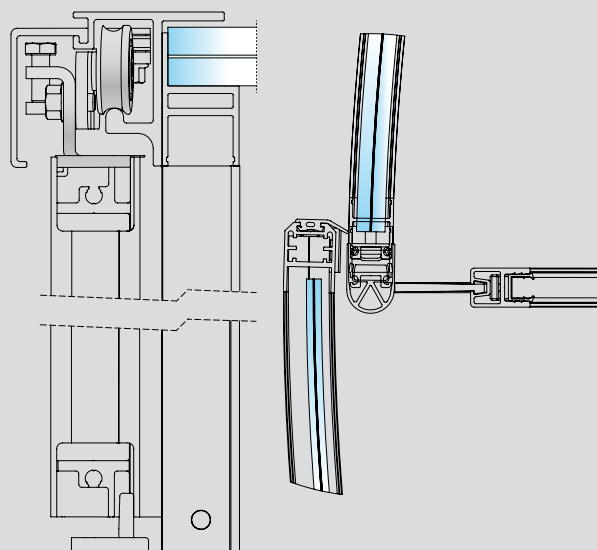
Besam RD3-300



Besam RD4-300



Night closing doors (NCD)



D	DT	TW
1800	1852	853
2100	2152	1003
2400	2452	1153
2700	2752	1303
3000	3052	1453

D	DT	TW
1800	1852	1237
2100	2152	1449
2400	2452	1661
2700	2752	1873
3000	3052	2085

Standard equipment

Automatic drive
Control unit built-in under the ground
Vertical safety switches
Glass wall 8 + 8mm clear laminated
Glass door leaves 15mm tempered glass (2600mm < HI ≤ 3000mm) 12mm tempered glass (HI ≤ 2600mm)
Glass ceiling 8+8 laminated glass
Door sections made from aluminium profiles
Besam activators
Fascia, standard height 60 mm
Emergency stop

Accessories and Options

Powder-coated finish (RAL colours)
Stainless steel cladding
Mechanical lock
Electromechanical lock
Night closing doors (NCD), manual
Mechanical lock on NCD
Internal height non-standard (2200 - 3000 mm)
Disabled push button
LED glass ceiling
Additional safety on rotating part
Concealed sensor cover

This equipment should be installed, regularly inspected, maintained and serviced by trained and authorized personnel. Preventive maintenance plans are highly recommended for a proper and safe operation. Talk to your ASSA ABLOY Entrance Systems representative to learn more about our service offering!